

pws e ipo-chlor 12 dosing unit

FRESH/POTABLE WATER TREATMENT DOSING UNIT

CONTACT US / CONTATTI

Technical Support / Supporto Tecnico
technical@blutec.info

Orders – Enquiries / Ordini – Richieste di Offerta
blutec@blutec.info

Ph. +39 010 25 18 563

DESCRIPTION

Blutec offers for fresh and potable water treatment/ disinfection the combination of below products:

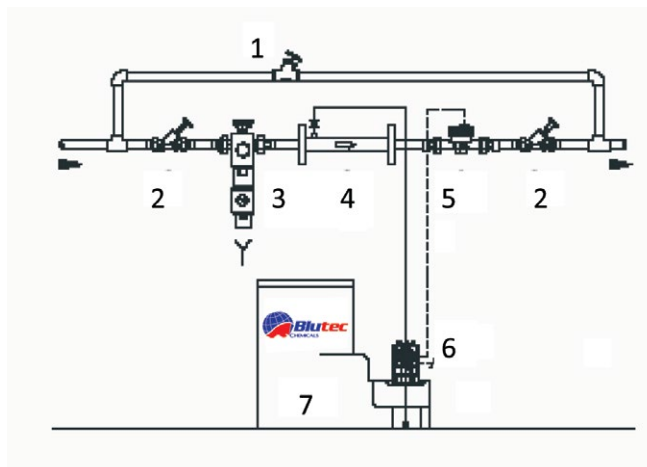
H/4 - POTABLE WATER STABILIZER

H/5 - IPO-CHLOR 12 LIQUID.

POTABLE WATER STABILIZER prevents corrosions and scales in fresh water plants and storages, eliminating red water phenomenon.

IPO-CHLOR 12 LIQUID controls and eliminates bacteria, maintaining fresh and potable water, properly disinfected.

Sodium hypochlorite at 12% is universally recognized as disinfectant of potable water by Health Departments and its use is approved for municipal water systems.

**POTABLE WATER STABILIZER - IPO-CHLOR 12
DOSING UNIT****legenda**

- 1 - By-pass (suggested)
- 2 - Check valve
- 3 - Filter (optional, suggested)
- 4 - Injector, with no return valve
- 5 - Pulse water meter
- 6 - Dosing pump *
- 7 - PPE dosing drum 110 lt

* Membrane metering dosing pump, different flow rates available
All pumps are equipped with flow rate regulation, pulse multiplier/divider - feeding 220V-50/60Hz